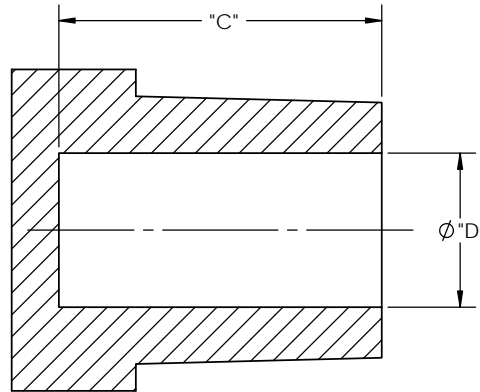
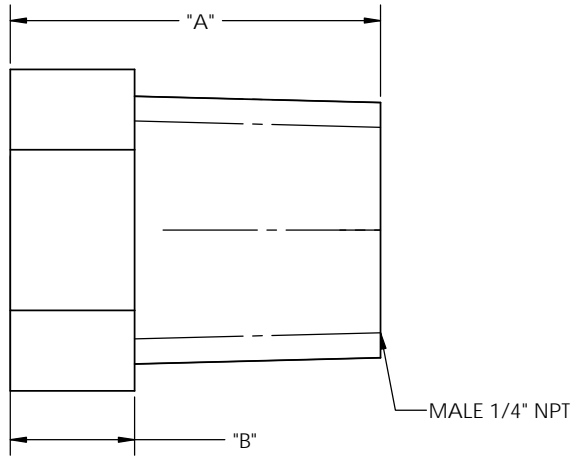
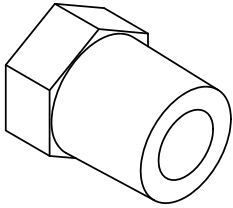
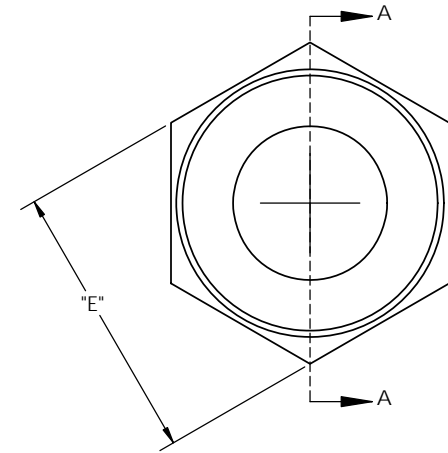


UNCONTROLLED IF PRINTED; CONTROLLED DOCUMENT LOCATED IN IQMS DOCUMENT CONTROL



SECTION A-A



CATALOG NO.	DESCRIPTION	MATERIAL	DIM "A"	DIM "B"	DIM "C"	DIM "D"	DIM "E"
TP4004/PP	1/4" NPT PP	POLYPROPYLENE	.745	.250	.65	.310	.56
TP4004/P	1/4" NPT P	POLYETHYLENE	.730	.245	.63	.305	.55
TP4004/N	1/4" NPT N	NYLON	.745	.250	.65	.310	.56

SHOWN

NOTES:

- POLYPROPYLENE HAS COLOR OPTIONS:
BLACK = TP4004/PPB
NATURAL = TP4004/PPN

PROPRIETARY AND CONFIDENTIAL
THE INFORMATION CONTAINED IN THIS DRAWING IS THE SOLE PROPERTY OF THOGUS PRODUCTS COMPANY. ANY REPRODUCTION IN PART OR AS A WHOLE WITHOUT THE WRITTEN PERMISSION OF THOGUS PRODUCTS COMPANY IS PROHIBITED.

D	96.00025	CONVERTED TO 3D FORMAT	UNLESS OTHERWISE SPECIFIED: DIMENSIONS ARE IN INCHES TOLERANCES: ANGULAR: $\pm 0.5^\circ$ XX = ± 0.1 XXX = ± 0.05 XXX = ± 0.015 REMOVE ALL SHARP EDGES AND BURRS BLEND ALL RADII TO 0.01IN INTERPRET GEOMETRIC TOLERANCING PER: ANSI Y 14.5.1994	NAME	DATE	<p>33490 PIN OAK, AVON LAKE, OH 44012</p> <p>TITLE: PLUG, 1/4" NPT</p>	
				DRAWN	KDJ		10/08/10
				CHECKED	KDJ		10/8/2010
				ENG APPR.	JM		8/25/2011
				MFG APPR.	ML		8/25/2011
				Q.A.	NW	8/25/2011	
				COMMENTS:			
			MATERIAL: PP, P, N				
			FINISH: NA				
			THIRD ANGLE PROJECTION:				
REV	WRO#	DESCRIPTION					
		HISTORY					

SIZE **B** DWG. NO. **TP4004** REV **D**

DO NOT SCALE DRAWING SCALE: 4:1 MASS: SHEET 1 OF 1